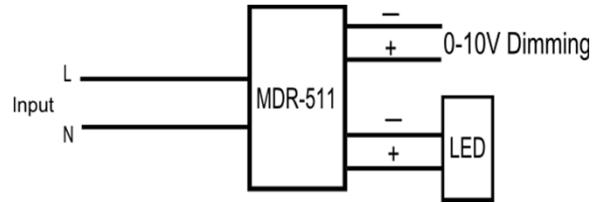


SPECIFICATIONS

Features

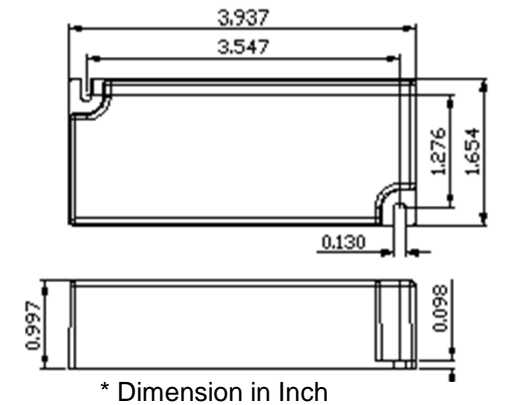
- Constant Current Output
- 0-10V Dimming
- Class 2 Compliance
- Damp Location
- 5 Year Warranty
- Hot Wire Protection
- Supporting DIM TO OFF Capability

Wiring Diagram



Mechanical and Thermal

Dimensions	L3.937"XW1.654"XH0.997"
Weight	140g
Lead Wire Length	6" (Standard)
Max. Case Operation Temp.	80°C



Protection

- Auto-reset electronic short circuit
- Overload protection
- Class 2
- Inherent Thermal Protection

Environmental Specifications

- Operating Temperature -20° to 60°C
- Storage Temperature -20° to 70°C
- MTBF >100,000 hrs
- Lead Free SMT process

Electrical

Maximum Load	20W
Input Voltage	120 – 277V/50-60Hz
Output Voltage	24-42VDC
Output Current (max.)	500mA
Power Factor	>0.90 (12-18W)
Efficiency	80 typ.
No Load Loss	<1 W



Note –

1. UL file No.: E340871
2. Driver is designated for “Stand by mode” at minimum light intensity (<0.8Vdc) power will not be OFF.



Macron Associate Co. – Power Supply Team

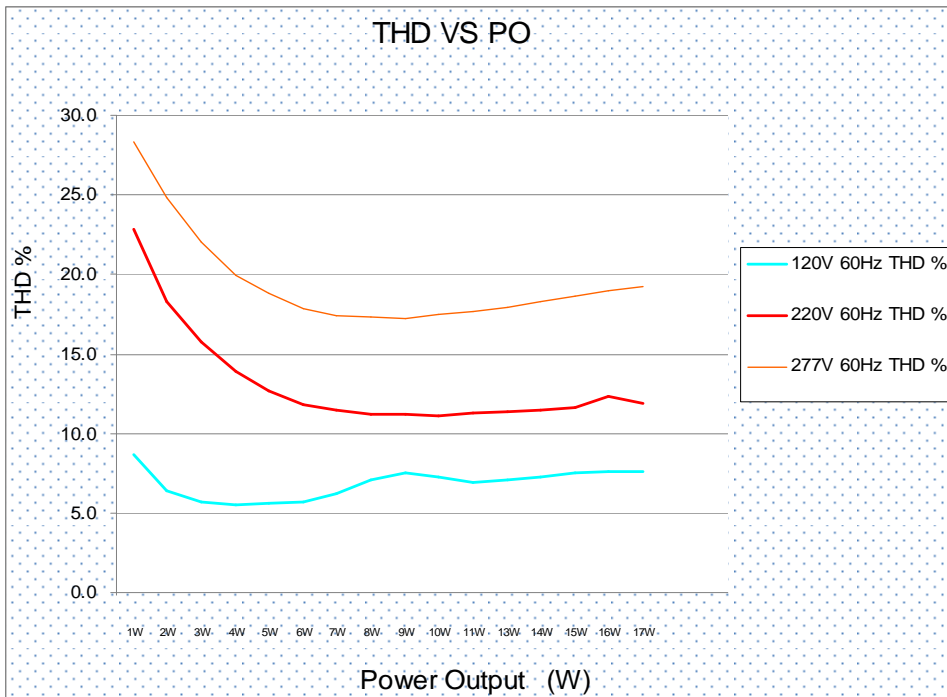
NO.352, Peng-Yi Road, Taiping, Taichung, Taiwan 411

TEL: 886-4-22708357 FAX: 886-4-22767307 Email: macron@macrongroup.com

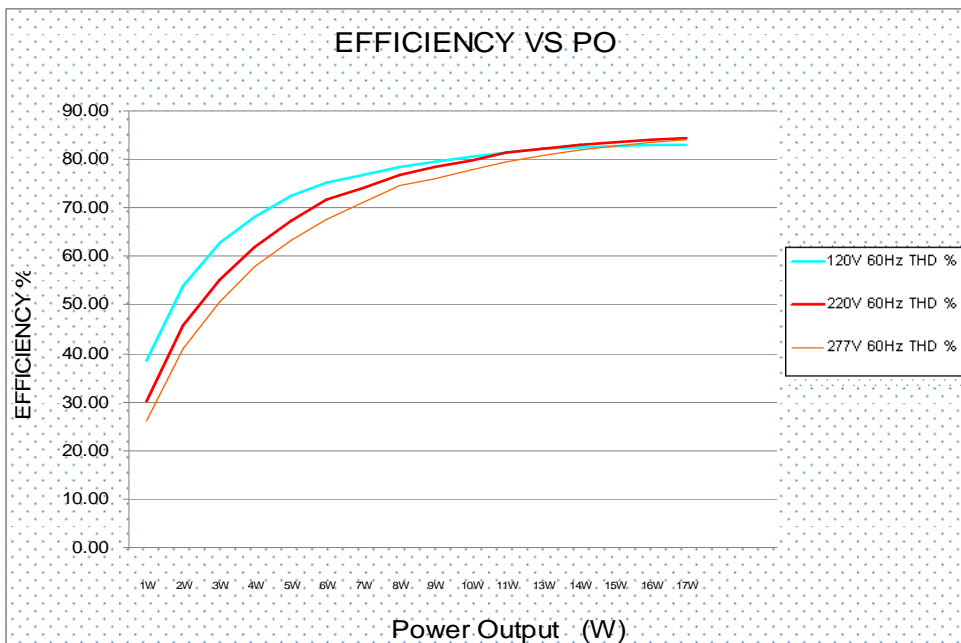
B1215

Electrical Specifications

THD of the driver VS Power Output (W):



Efficiency of the driver VS Power Output (W):



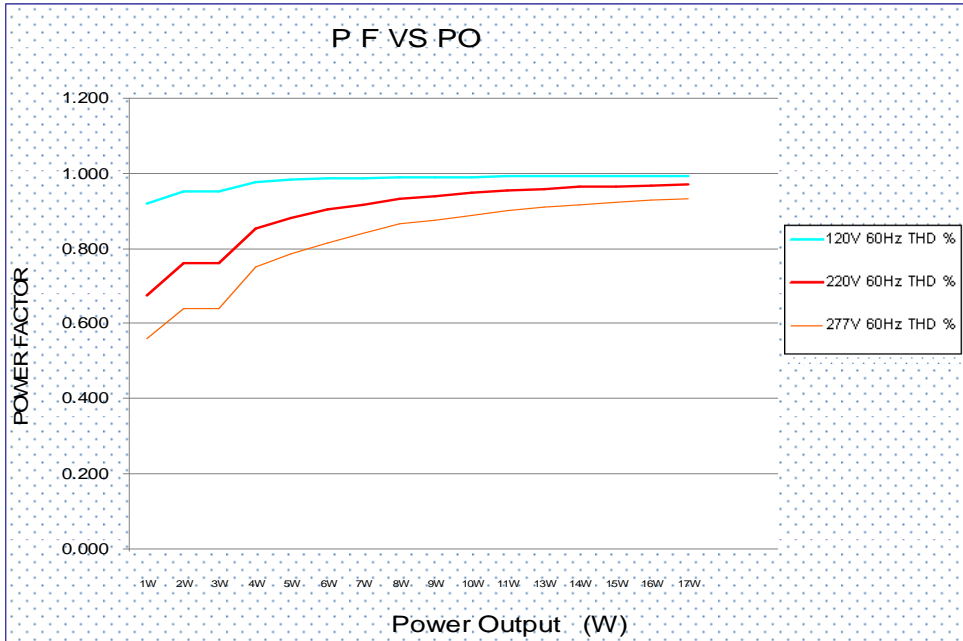
Macron Associate Co. – Power Supply Team

NO.352, Peng-Yi Road, Taiping, Taichung, Taiwan 411

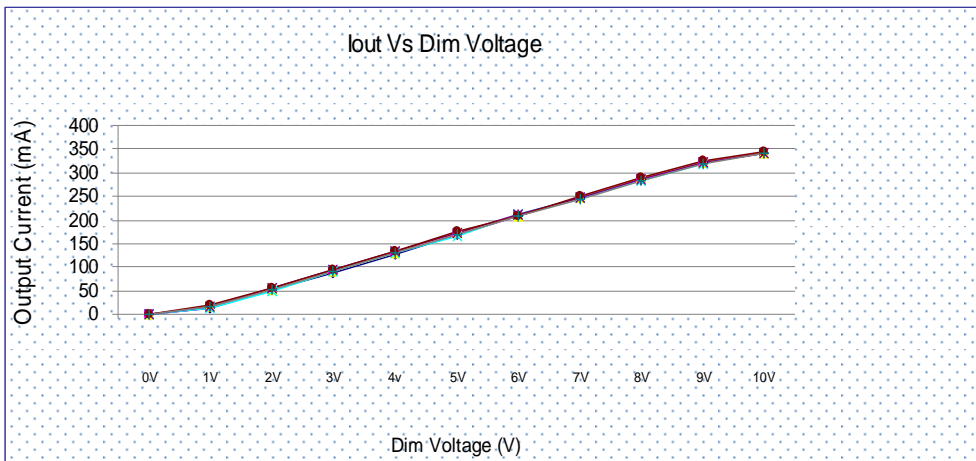
TEL: 886-4-22708357 FAX: 886-4-22767307 Email: macron@macrongroup.com

B1215

Efficiency of the driver VS Power Output (W):



0-10V Dimming Info:



Macron Associate Co. – Power Supply Team

NO.352, Peng-Yi Road, Taiping, Taichung, Taiwan 411

TEL: 886-4-22708357 FAX: 886-4-22767307 Email: macron@macrongroup.com

B1215